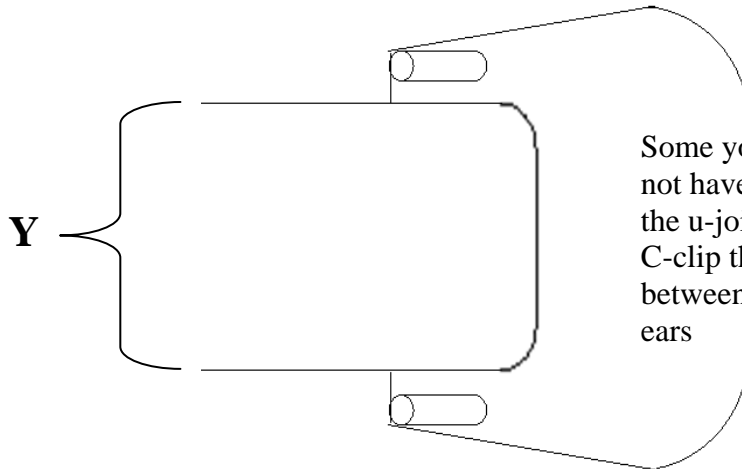
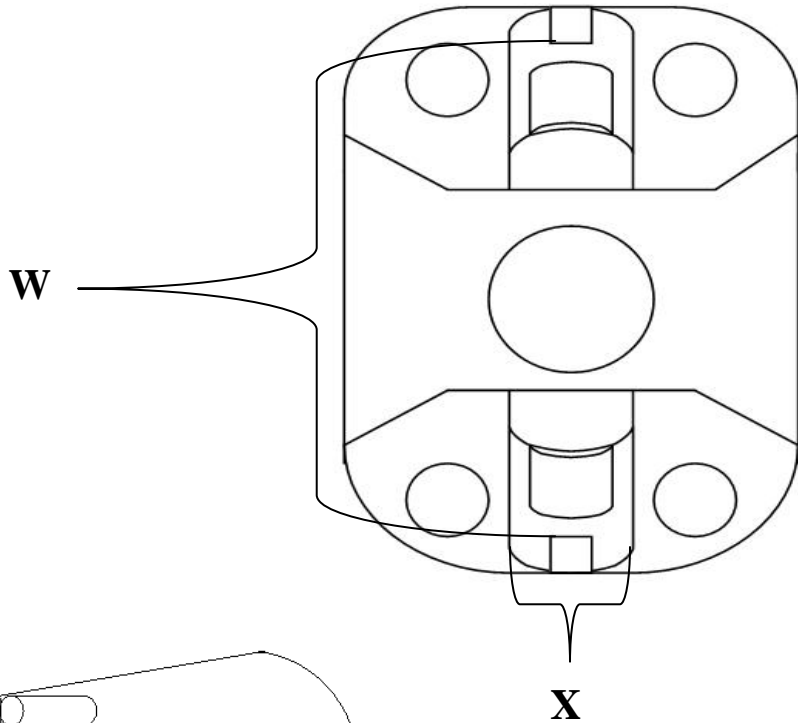


**Midwest Driveshaft, Inc.**  
 3712 Illinois Ave.,  
 St. Charles, IL 60174  
 (630) 513-9292 phone · (630) 513-9387 fax

**Yoke I.D.**

**W=3.219 X=1.0625**  
**W=3.219 X=1.125**  
**W=3.625 X=1.0625**  
**W=3.625 X=1.125**  
**W=3.625 X=1.188**  
**W=4.188 X=1.188**

These dimensions must be accurate! If you don't get them you may have a worn yoke.



Some yokes do not have tabs but the u-joint has a C-clip that centers between the yoke ears

**Y=2.562 X=1.125 GM**  
**Y=2.125 X=1.078 Chrysler**  
**Y=2.625 X=1.125 Chrysler**

<u>Customer Information</u>
Name _____
Phone _____ Fax _____
Date _____

<u>Enter measurements here</u>
_____ <b>W</b> —Dimension between centering tabs
_____ <b>X</b> —U-joint cap diameter
_____ <b>Y</b> —Dimension where C-clip fits between the