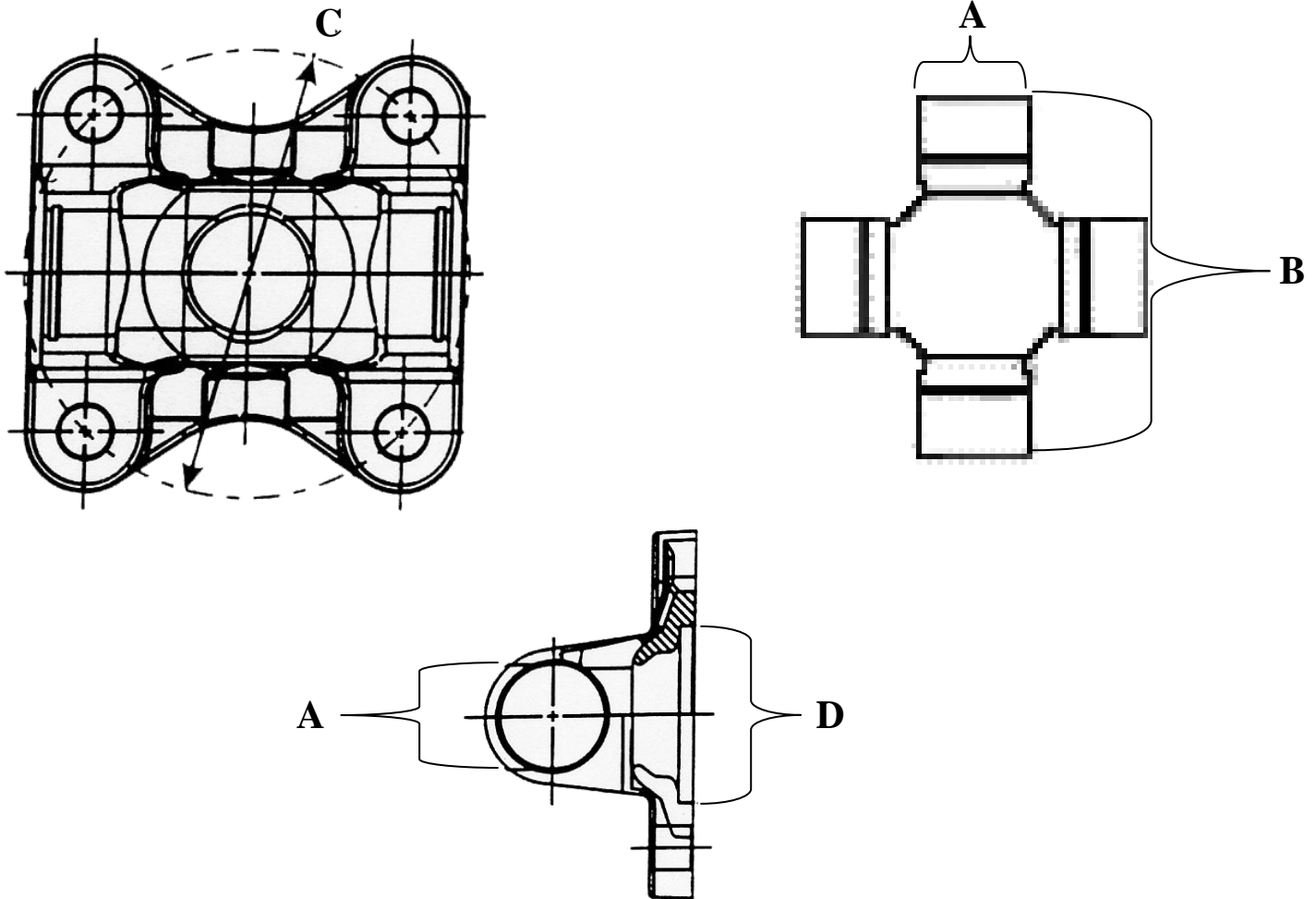


Midwest Driveshaft, Inc.
3712 Illinois Ave.,
St. Charles, IL 60174
(630) 513-9292 phone · (630) 513-9387 fax

Flange Yoke Identification



Enter measurements here

- _____ **A**—Diameter of cap
- _____ **B**—Dimension width across u-joint with caps compressed
- _____ **C**—Bolt circle diameter
- _____ **D**—Pilot diameter, male or female

Customer Information

Name _____
Phone _____ Fax _____
Date _____