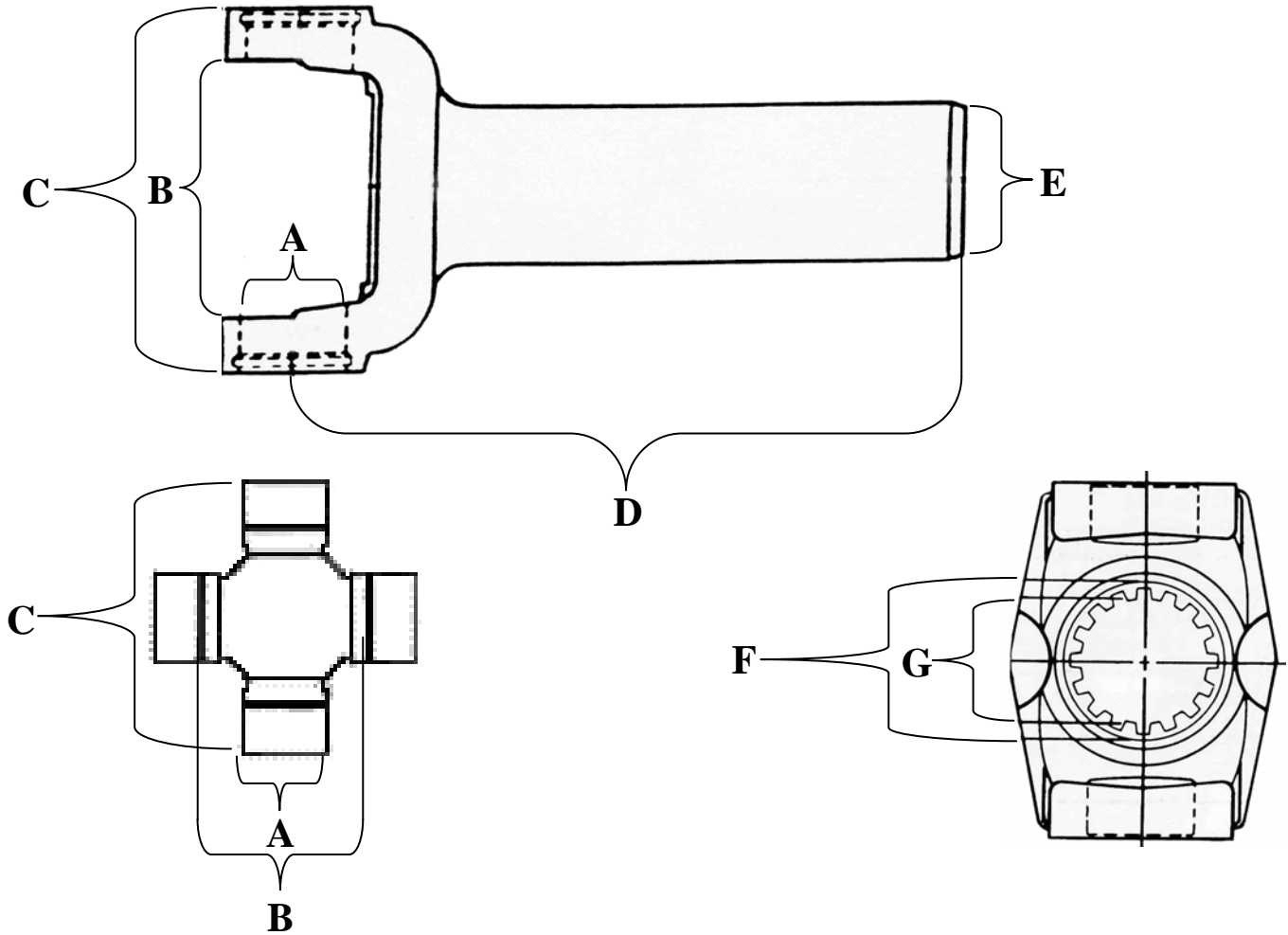


Midwest Driveshaft, Inc.
 3712 Illinois Ave.,
 St. Charles, IL 60174
 (630) 513-9292 phone · (630) 513-9387 fax

Slip Yoke



Enter measurements here

- | | |
|---|--------------------------------|
| _____ A —Hole/Cap diameter | _____ E —Seal diameter |
| _____ B —Inside width C-clip design | _____ F —Major diameter |
| _____ C —Outside width snap ring design | _____ G —Minor diameter |
| _____ D —Center of u-joint to tip of yoke. | _____ H —Spline count |

Note: Caps must be compressed when taking measurements

Customer Information

Name _____
 Phone _____ Fax _____
 Date _____